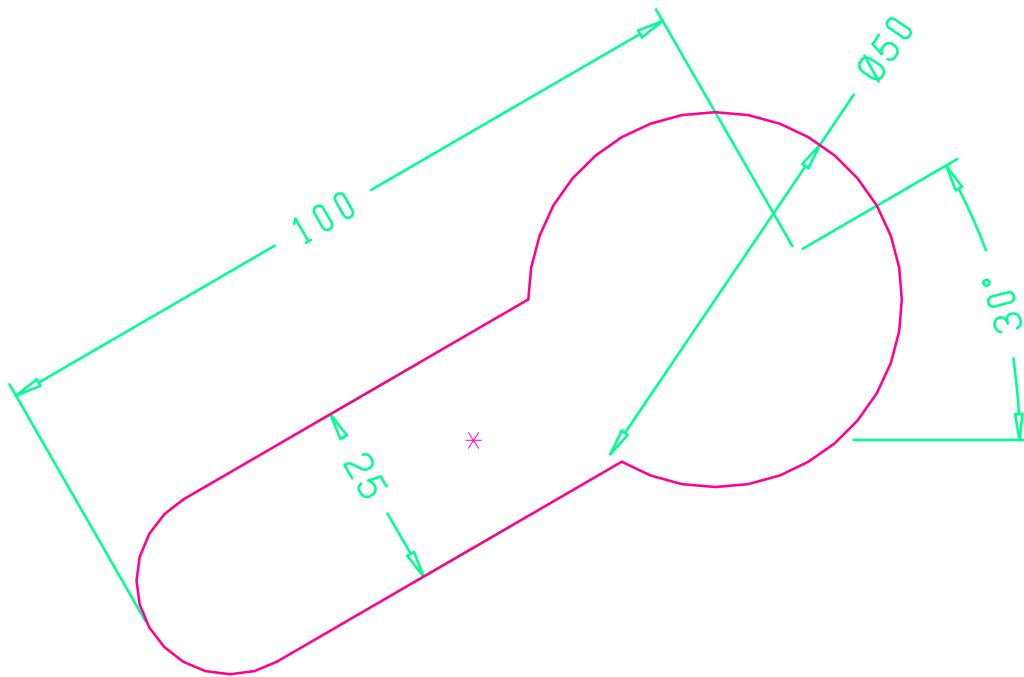


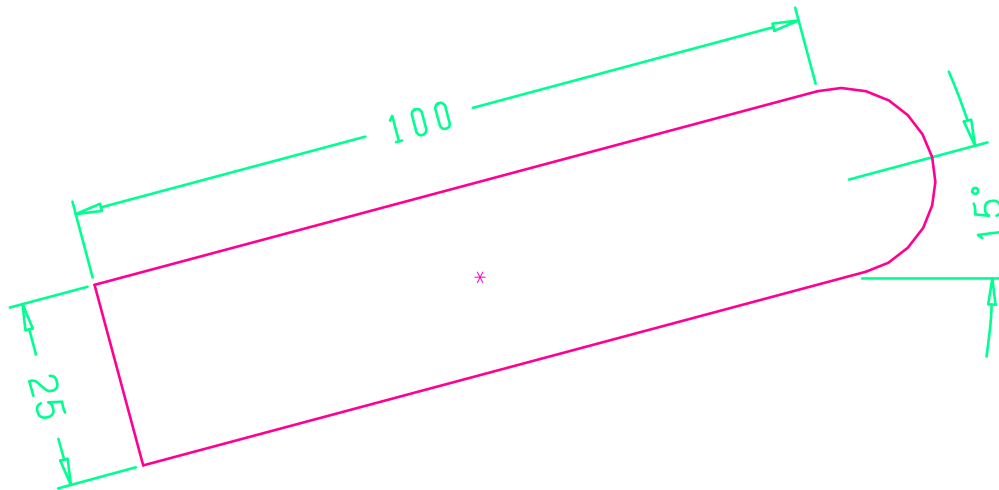
Übung : Langloch 1



```

Insert Point Free Loc [0,0,0]
Insert Slotprofile Height 25 Outerwidth 100 Angle 30 Center Org *
Insert Circle Diameter 50 Org *
Union Profile * * Go
    
```

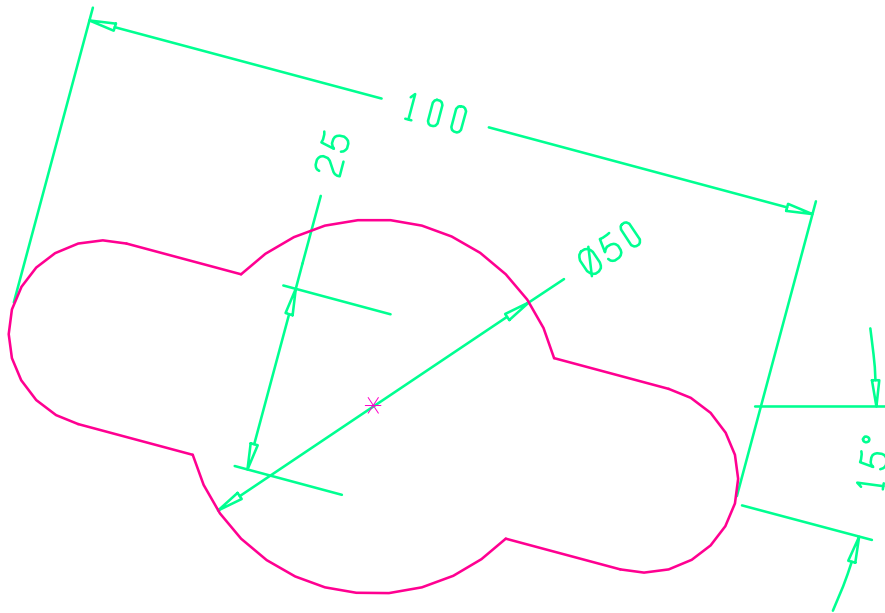
Übung : Langloch 2



```

Insert Point Free Loc [0,0,0]
Insert Rectangle Angle 15 Height 25 Width 100 Center Org *
Insert Circle Bisect End * *
Union Profile * * Go
    
```

Übung : Langloch 3



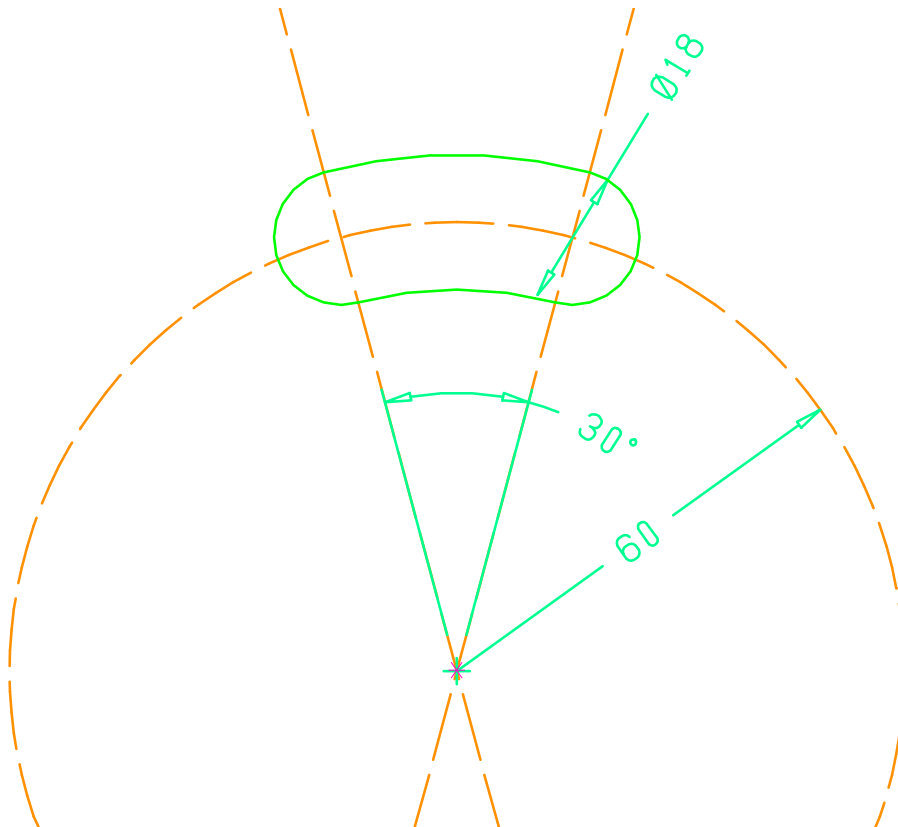
Insert Point Free Loc [0,0,0]

Insert Slotprofile Height 25 Outerwidth 100 Angle -15 Center Org *

Insert Circle Diameter 50 Org *

Union Profile * * Go

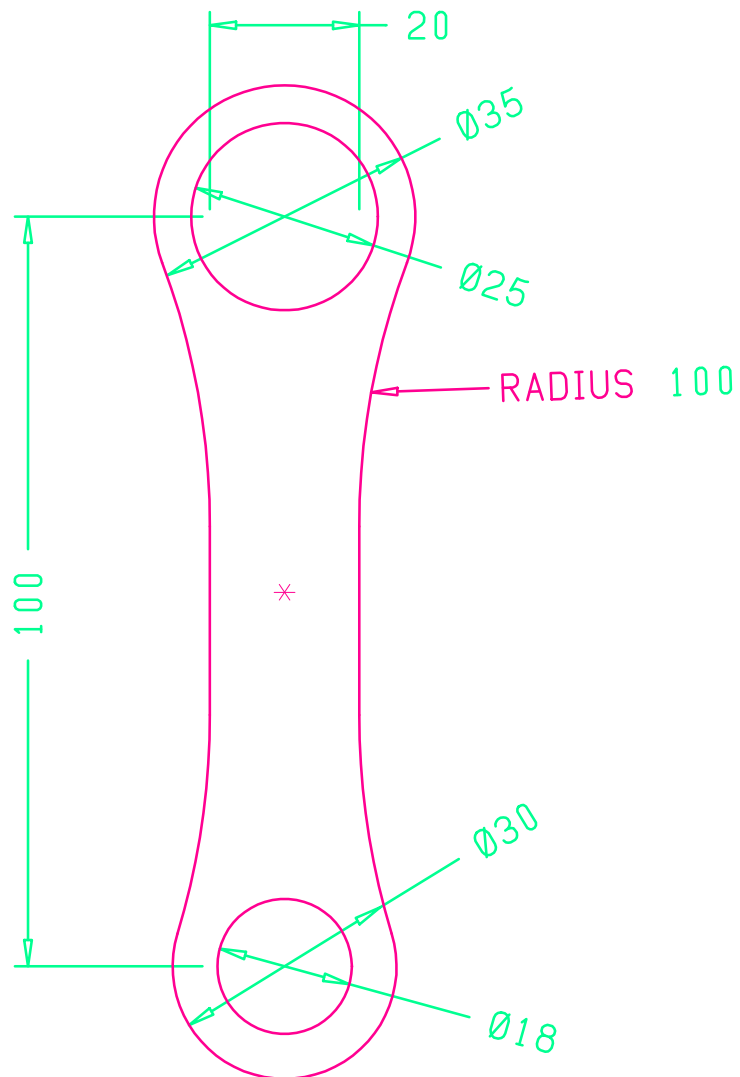
Übung : Langloch 4



```

Insert Point Free Loc [0,0,0]
Insert Refline Fromy 30 Org *
Insert Circle Radius 60 UConstruction Org *
Insert Circle Diameter 18 Intof * * Intof * *
Insert Arc Radius Org * Intof * * Intof * *
Insert Arc Radius Org * Intof * * Intof * *
Trim Curve Corner * * * * * * * *
Join Pcurve * * * * Go
    
```

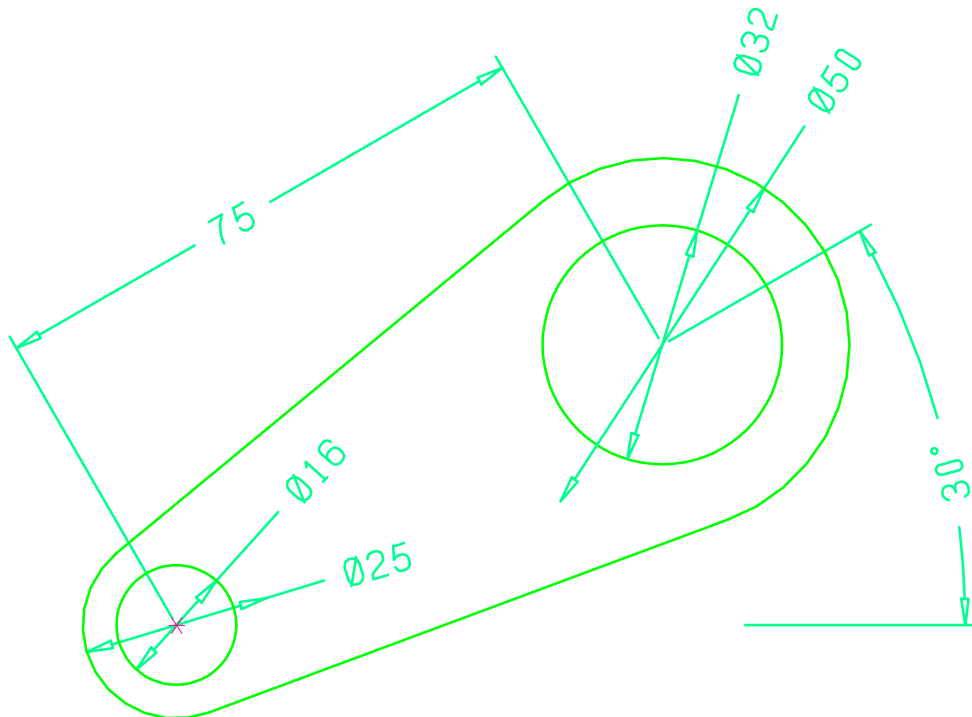
Übung : Gabel



```

Insert Point Free Loc [0,0,0]
Insert Rectangle Height 100 Width 20 Center Org *
Insert Circle Diameter 18 Mid *
Insert Circle Diameter 30 Mid *
Insert Circle Diameter 25 Org *
Insert Circle Diameter 35 Org *
Union Profile * * * Go
Break Pcurve *
Insert Fillet Radius 100 * * * * * * * *
Join Pcurve Chn * Go
    
```

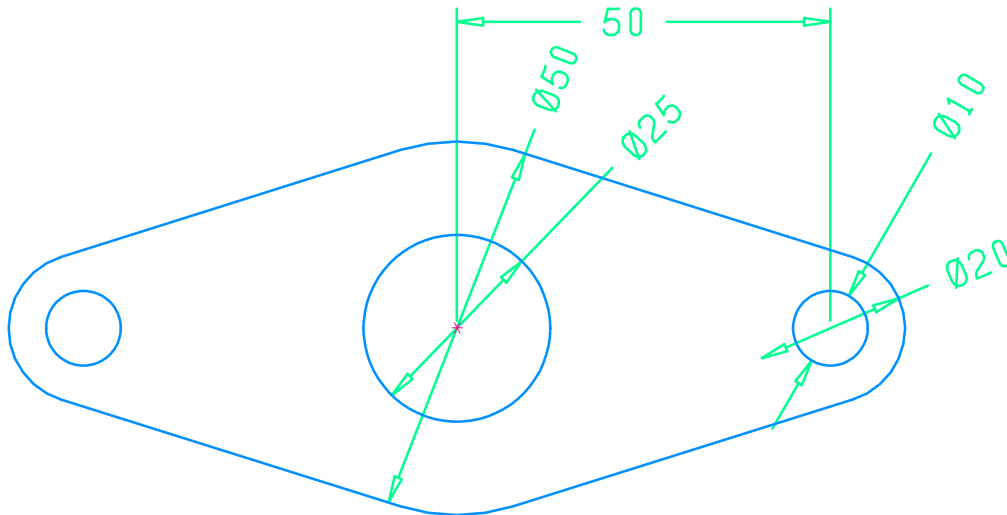
Übung : Hebel 1



```

Insert Point Free Loc [0,0,0]
Insert Circle Diameter 16 Org *
Insert Circle Diameter 25 Org *
Insert Circle Diameter 32 Ref Org * XAngle 30 Distance 75
Insert Circle Diameter 50 Org *
Insert Line Tanto * * * *
Trim Curve Corner * * * * * * * *
Join Pcurve Chn * Go
    
```

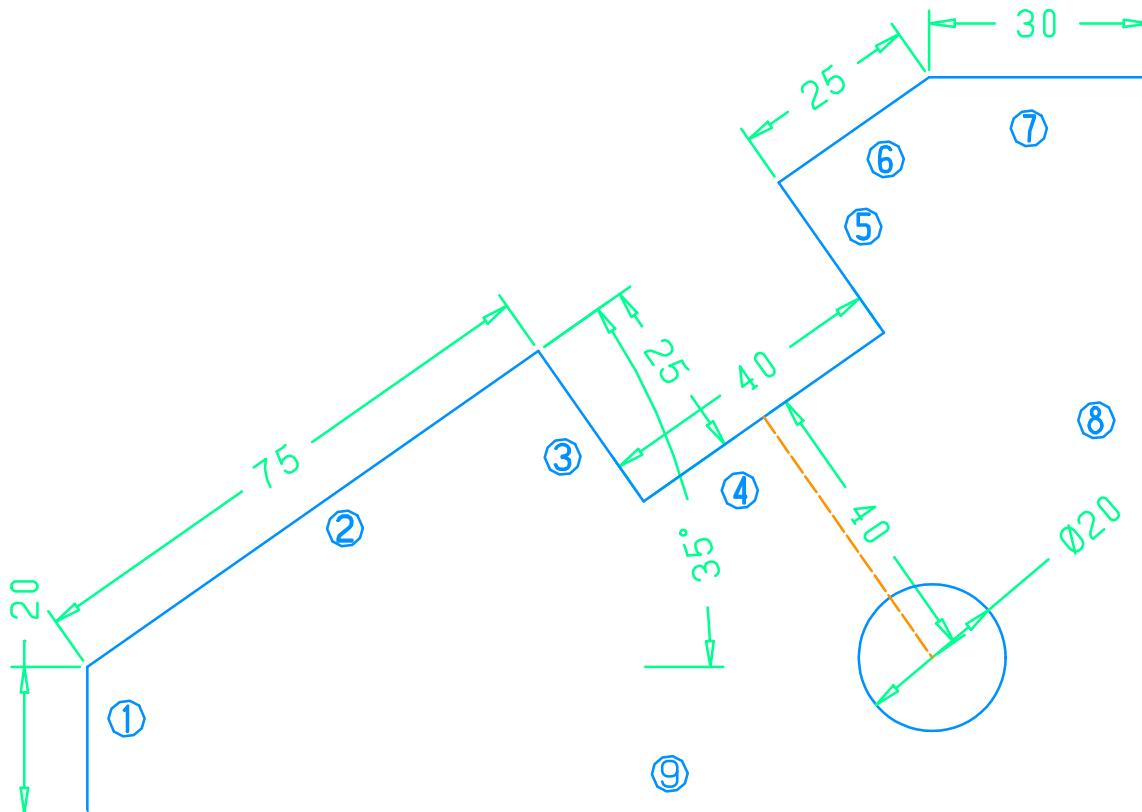
Übung : Hebel 2



```

Insert Point Free Loc [0,0,0]
Insert Circle Diameter 25 Org *
Insert Circle Diameter 50 Org *
Insert Circle Diameter 10 Ref Org * Dx 50
Insert Circle Diameter 20 Org *
Insert Line Tanto * * * *
Duplicate Entity * * * * Mirror Plane X Org *
Trim Curve Corner * * * * * * * * * * * * * *
Duplicate Entity * Mirror Plane Y Org *
Join Pcurve Chn * Go
    
```

Übung : Getdata



```

Insert Line Free Org [0,0,0] Dy 20          (1)
      XAngle 35 Distance 75                 (2)
      Dperpendicular * 25                   (3)
      Dparallel * 40                        (4)
      Dnormal *                             (5)
      Dparallel * 25                        (6)
      Dx 30                                 (7)
      Dy End * *                            (8) + (9)
    
```

```

Insert Circle Diameter 20 Ref Mid * Dperpendicular * 40
    
```